

Linear Actuator

LAI Series

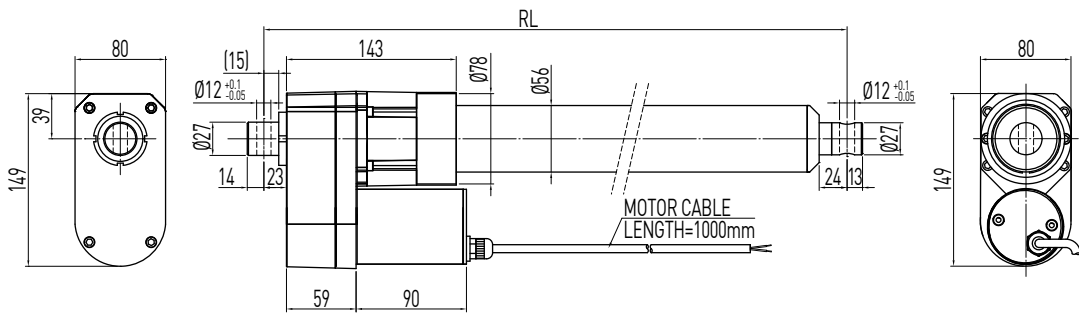
9. HIWIN LAI Series (2)

LAI2



• Without limit switch and without hall sensor drawing:

- RL = S+277
Stroke ≤ 300
- RL = S+327
Stroke ≤ 700
- RL = S+377
Stroke ≤ 1000
- RL: Retracted length
- S: Stroke length



• With limit switch and with hall sensor drawing:

- RL = S+323
Stroke ≤ 300
- RL = S+373
Stroke ≤ 700
- RL = S+423
Stroke ≤ 1000
- RL: Retracted length
- S: Stroke length

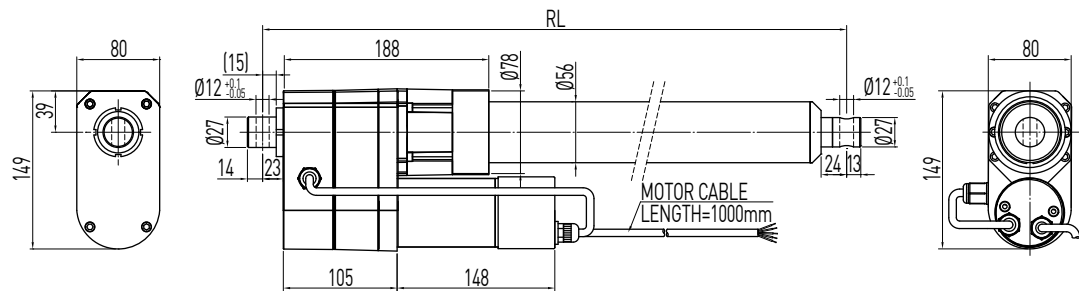


Table 9.1 Specifications

| | |
|-----------------------|--|
| Screw type | Ball screw |
| Weight* | 8kg |
| Protection | IP54 |
| Compatible controller | Compatible with all controllers (*Notice the type of connector: Audio/DIN 4pin) |
| Working temp. | +5°C~40°C |
| * Stroke length 300mm | |

Option:

- (1) IP66
- (2) Hall sensor
- (3) Limit switch
- (4) Clamp installed
- (5) Rod end with PHS20 Roller
- (6) Plug: DIN 4PIN plug / Stereo plug / Mono plug
- (7) Back fixture turned 0°, 45°, 90°, 135°

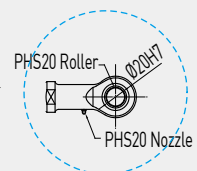
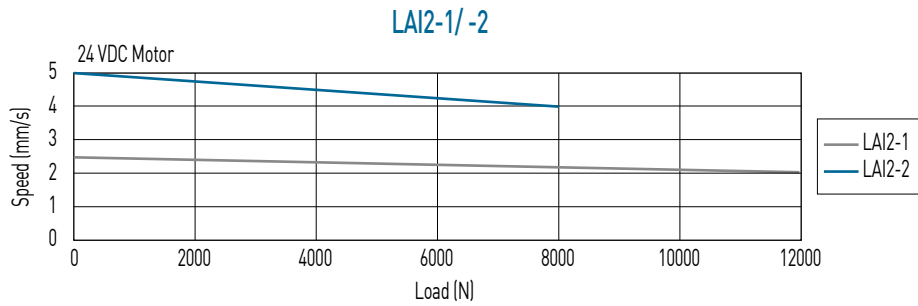


Table 9.2 LAI2 Specifications

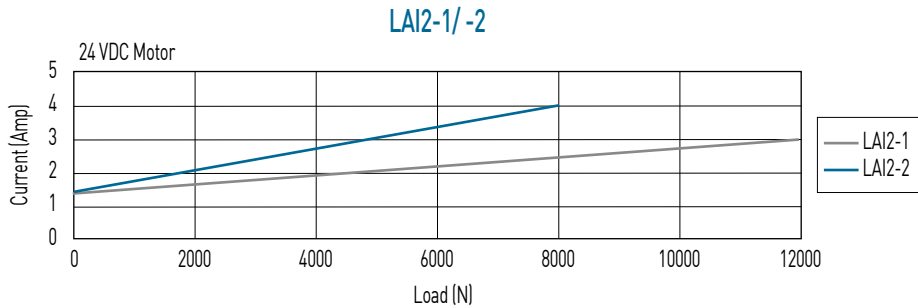
| Model | Screw type | Thrust max. (N) | Pulling max. (N) | Holding max. (N) | Speed (mm/s) Load = Max. / Load = 0 | Standard stroke (mm) : S | | | | | Duty cycle % | Current max. (A) 24VDC | Hall Sensor Resolution (mm/pulse) |
|--------|------------|-----------------|------------------|------------------|--|--------------------------|-----|-----|-----|-----|--------------|---------------------------|-----------------------------------|
| | | | | | | 100 | 150 | 200 | 250 | 300 | | | |
| LAI2-1 | Ball screw | 12000 | 10000 | 12000 | 2 / 2.5 | 100 | 150 | 200 | 250 | 300 | 10 | 3 | 1.26 |
| LAI2-2 | Ball screw | 8000 | 8000 | 8000 | 4 / 5 | 100 | 150 | 200 | 250 | 300 | 10 | 4 | 2.54 |

*The max. stroke lengths: 1000mm

*Min. input power = Voltage x Current max.



**Note: The test results are obtained by using the 24VDC power supply.



Ordering Information

