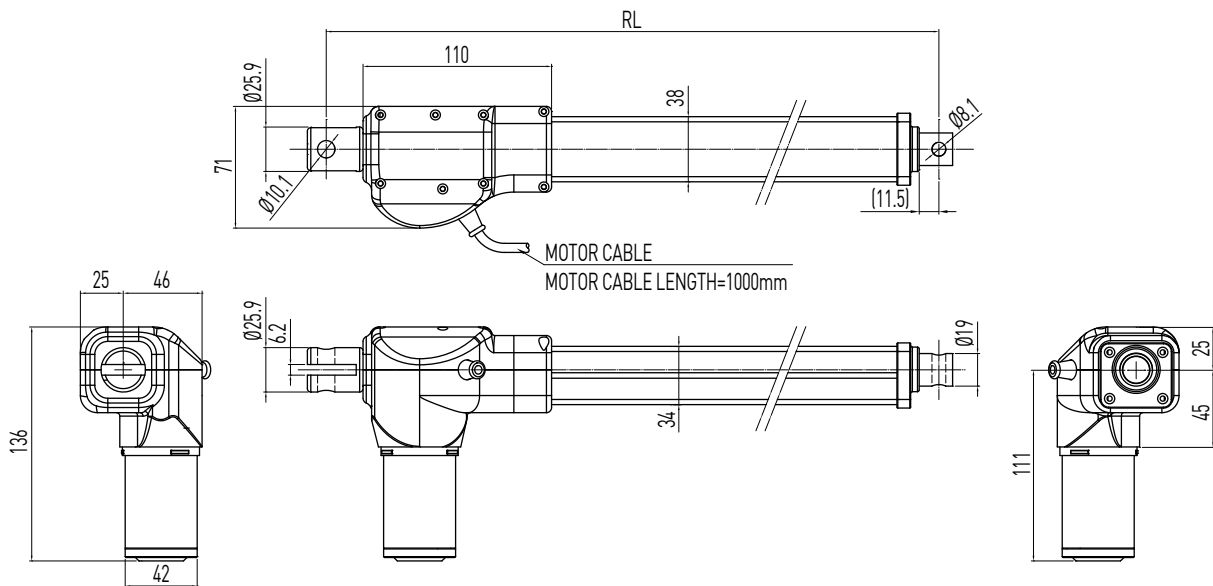


# Linear Actuator

## LAM Series

### 6. HIWIN LAM Series (2)

#### LAM2



- RL = S+157  
Stroke ≤ 300
- RL = S+207  
Stroke > 300
- RL: Retracted length
- S: Stroke length

Table 6.1 Specifications

Screw type	ACME
Weight*	1.9kg
Protection	IP54
Compatible controller	Compatible with all controllers (*Notice the type of connector: Audio/DIN 4pin)
Working temp.	+5°C~40°C

\* Stroke length 200mm

#### Option:

- (1) External reed switch.
- (2) Mechanical Spline (Push only)
- (3) MR Sensor (Position feedback)
- (4) Back fixture turned 90°
- (5) IP66
- (6) Rod end with round connector  
(RL = S+166, S ≤ 300 / RL = S+216, S > 300)
- (7) Plug: DIN 4PIN plug / Stereo plug / Mono plug
- (8) UL Version

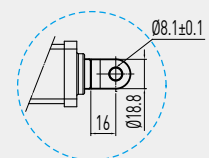
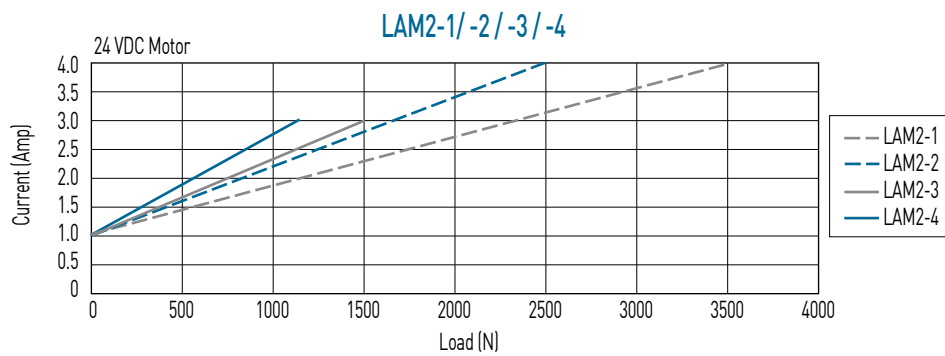
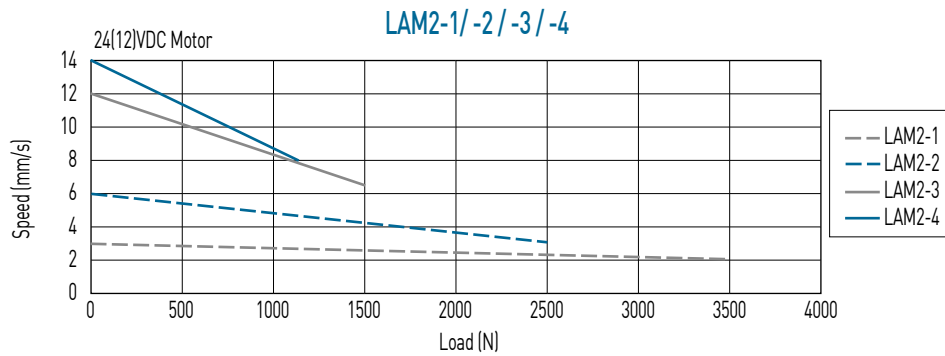


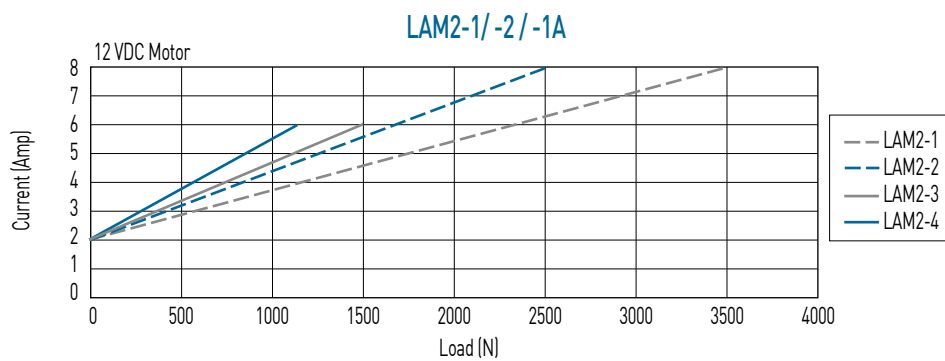
Table 6.2 LAM2 Specifications

Model	Thrust max. (N)	Pulling max. (N)	Holding max. (N)	Speed (mm / s) Load = Max. / Load = 0	Standard stroke (mm) : S					Duty cycle %	Current max. (A)		MR Sensor Resolution (mm / pulse)
					100	150	200	250	300		12VDC	24VDC	
LAM2-1	3500	3500	3000	2 / 3.5	100	150	200	250	300	10	8	4	0.1
LAM2-2	2500	2500	2000	3 / 6	100	150	200	250	300	10	8	4	0.16
LAM2-3	1500	1500	1500	6.5 / 12	100	150	200	250	300	10	6	3	0.32
LAM2-4	1200	1200	800	8 / 14	100	150	200	250	300	10	6	3	0.4

\*Min. input power = Voltage x Current max.



\*\*Note: The test results are obtained by using the 24VDC power supply.



\*\*Note: The test results are obtained by using the 12VDC power supply.

## Ordering Information

**LAM2 - 1 - 1 - 200 - 24 G E**

Model number	Stroke length	Voltage	Color	Special models according to the customer's requirement (Ignore this part of the serial number if not available)
0 : Without internal limit switches 1 : Basic model complete with internal limit switches			B : Black G : Gray	