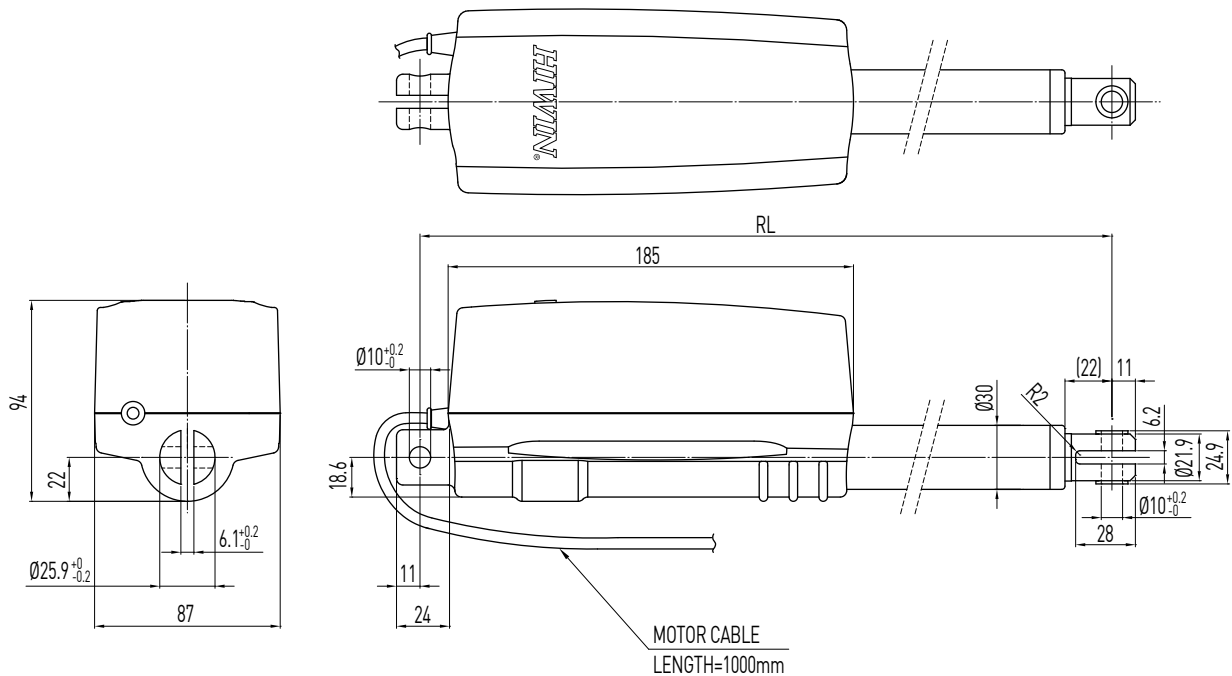
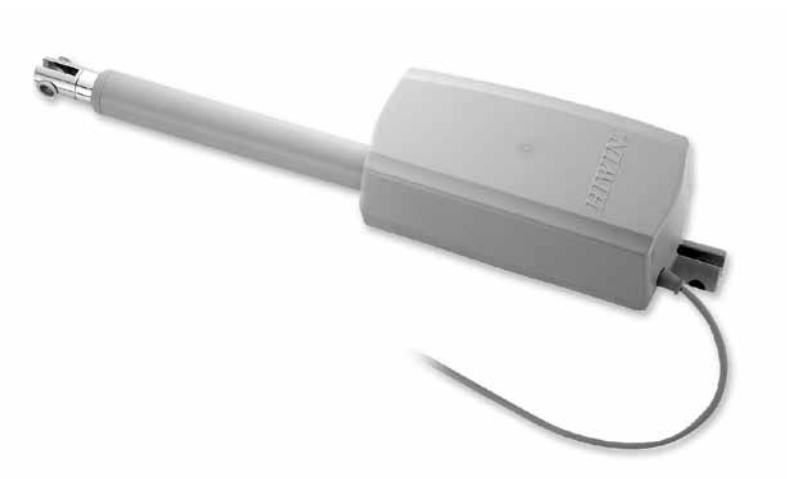


Linear Actuator

LAN Series

18. HIWIN LAN Series (4)

LAN4



- RL = S+160
Stroke ≤ 400
- RL = S+210
Stroke > 400
- RL: Retracted length
- S: Stroke length

Table 18.1 Specifications

Screw type	ACME
Weight*	2.33kg
Protection	IP54
Compatible controller	LAK2 / LAK2LR / LAK2D / LAK2BN / LAK2J / LAK6B
Working temp.	+5°C~40°C

* Stroke length 200mm

Option:

- (1) IP66
- (2) Safety Nut RL = S+174, S ≤ 400 / RL = S+224, S > 400
- (3) Mono jack-plug (Standard is stereo)
- (4) Mechanical spline (push only) RL = S+200, S ≤ 400 / RL = S+250, S > 400
- (5) Plug: DIN 4PIN plug / Stereo plug / Mono plug
- (6) UL Version

