



TS4-A-M

PV Module Advanced Add-On

The TS4-A-M (Monitoring) is the advanced add-on module-level solution that brings smart module functionality to standard PV modules for higher reliability. Ensure the healthy operation of new or existing PV systems by adding this monitoring feature.

The TS4-A-M monitors each panel, string, and system when installed on each module and when accompanied by the Tigo Access Point (TAP) and the Cloud Connect Advanced (CCA). DC production data can be analyzed via Tigo's SMART Website or App when connected to the cloud.

The TS4-A-M with UHD-Core technology and expanded specifications supports PV modules up to 500W.

Included Features



Monitoring

Module-level **monitoring** for energy production tracking and system management

Easy Installation

Snap to standard module frame or remove brackets for rack mounting

Smart Commissioning

Configure and commission with your Android or iOS mobile device

SMART Website & App

Access module-level data anywhere, and use for remote O&M or ROI statistics



TS4-A-M SPECIFICATIONS

Environmental

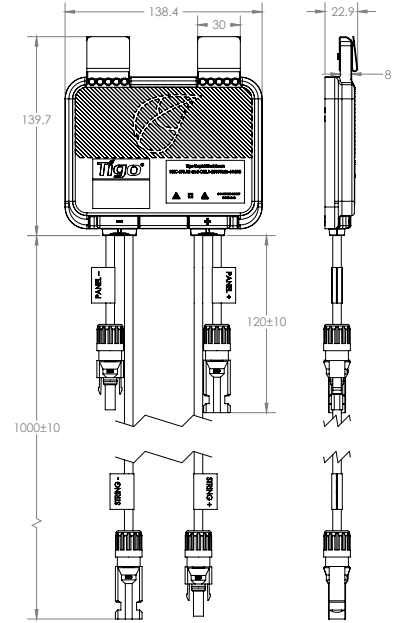
Operating Temperature Range	-40°C to +85°C (-40°F to +185°F)
Outdoor Rating	IP68, NEMA 3R

Mechanical

Dimensions	138.4mm x 139.7mm x 22.9mm
Weight	490g

Electrical

Voltage Range	16 - 90V
Maximum Current	15A
Maximum Power	500W
Output Cable Length	1.2m (standard)
Connectors	MC4 (standard)
Communication Type	Wireless



Cloud Connect Advanced (CCA) and TAP are required for monitoring with TS4-A-M.

ORDERING INFORMATION

Standard

455-00252-32 1500V UL / 1000V TÜV, 1.2m cable, MC4

Options

455-00257-12 1000V UL / TÜV, 1.2m cable, MC4 comparable

455-00261-32 1500V UL / TÜV, 1.2m cable, EVO2

455-00263-12 1500V UL / TÜV, 1.2m cable, EVO comparable

For sales info:

sales@tigoenergy.com or 1.408.402.0802

For product info:

Visit tigoenergy.com/products

For technical info:

Visit support.tigoenergy.com



Distributed Generation monitoring module, Q110



For additional info and product selection assistance, use Tigo's online design tool at tigoenergy.com/design

